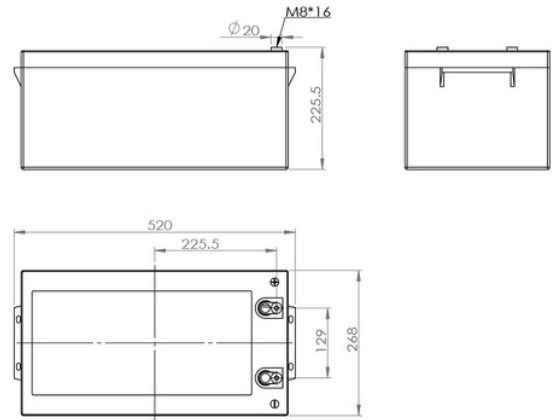




# BATERÍA GEL 150AH

Valve Regulated Sealed Gel Battery



## SPECIFICATION

<b>Battery Model</b>	LCPC150-12 12V 150Ah			
<b>Design Life (years, 25°C)</b>	10			
<b>Capacity (Ah, 25°C)</b>	10HR (15A, 1.80V) 150	5HR (24.9A, 1.80V) 124.5	3HR (36.75A, 1.80V) 110.25	1HR (81.3A, 1.75V) 81.3
<b>Dimensions (mm)</b>	Length 483	Width 171	Height 240	Total Height 240
<b>Approx. Weight (kg)</b>	42.5			
<b>Reference Internal Resistance (mΩ)</b>	3.6 (Fully Charged @ 25°C)			
<b>Maximum Discharge Current (A)</b>	450			
<b>Self-Discharge (25°C)</b>	≤ 1.5% per month			
<b>Charge Voltage (V/Cell, 25°C)</b>	Cycle Use		Float Use	
	2.40(-3.5mV/°C/Cell), max charge current: 30A		2.27 (-3.5mV/°C/Cell)	

## Discharge Data

### Constant Current Discharge Data (25°C, A)

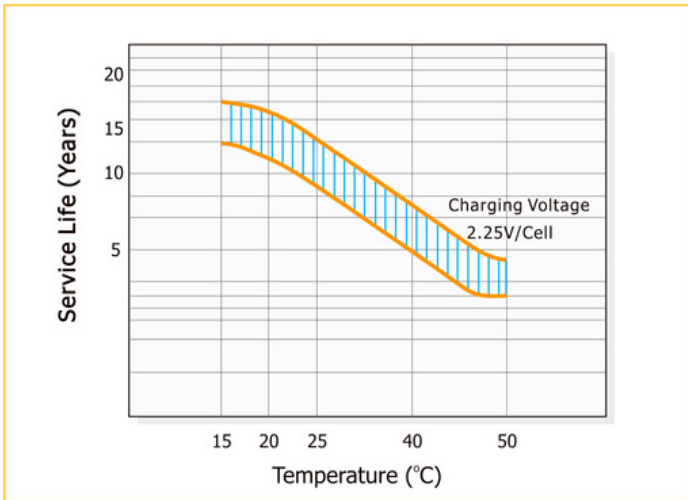
End Voltage (V/Cell)	h								
	1	3	5	10	20	50	100	120	240
1.70	83.55	38.70	26.18	15.35	7.850	3.330	1.740	1.470	0.780
1.75	81.30	37.95	25.65	15.20	7.725	3.270	1.710	1.449	0.765
1.80	78.75	36.75	24.90	15.00	7.600	3.195	1.680	1.425	0.750
1.85	75.75	35.40	24.00	14.70	7.450	3.105	1.635	1.389	0.735
1.90	72.00	33.75	22.95	14.30	7.250	3.000	1.590	1.350	0.720

### Constant Power Discharge Data (25°C, W)

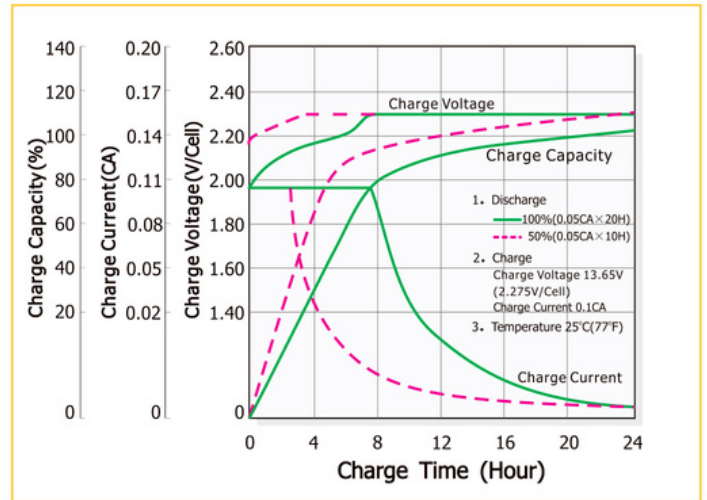
End Voltage (V/Cell)	h								
	1	3	5	10	20	50	100	120	240
1.70	150.50	63.20	45.50	28.30	14.700	7.130	3.850	3.270	1.650
1.75	145.50	62.10	44.40	28.00	14.450	7.050	3.670	3.210	1.620
1.80	141.50	61.10	43.20	27.70	14.200	6.750	3.420	3.090	1.590
1.85	137.00	60.30	42.20	27.10	13.900	6.390	3.250	2.890	1.530
1.90	133.20	59.40	41.00	26.70	13.700	6.150	3.110	2.790	1.500

# PERFORMANCE CURVE

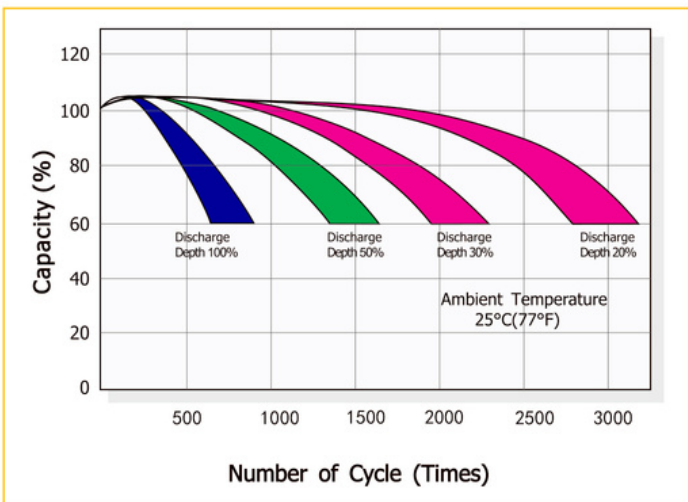
## Trickle(or Float) Service Life



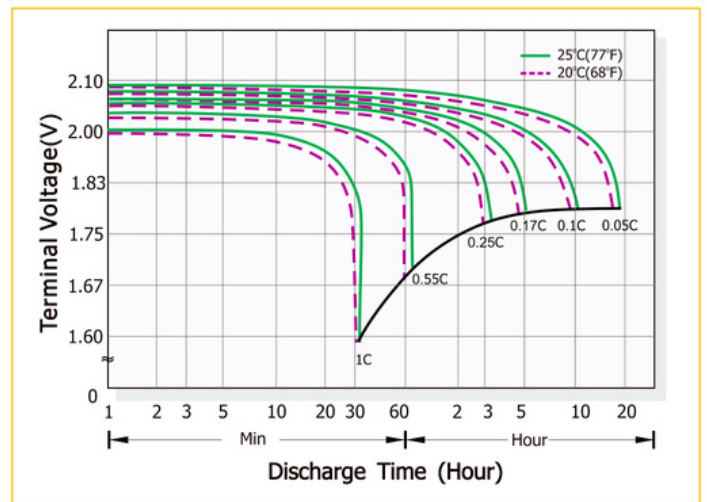
## Charge Characteristic



## Cycle Service Life



## Discharge Characteristic



# FEATURES

- Low self-discharge and long shelf life
- Non-Spillable construction
- Safety valve installation for explosion proof
- Exceptional deep discharge recovery performance
- 99.7% pure lead calcium grids and A recognized Component of UL

# APPLICATIONS

- Photovoltaic System
- Telecommunications
- Emergency Power System
- Power Plant and power transformer system
- Control Equipment

- IEC 60896-21/22
- DIN 40742
- YD/T 1360-2005

ISO 9001

