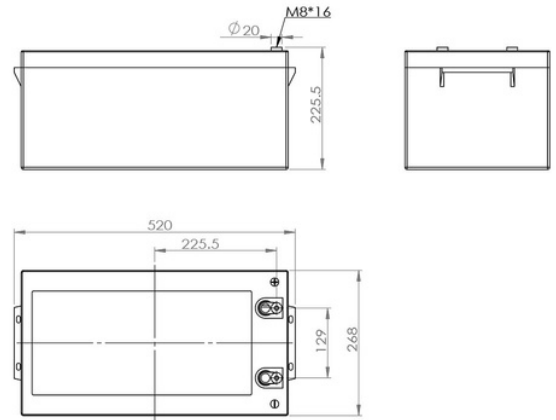




# BATERÍA GEL 200AH

Valve Regulated Sealed Gel Battery



## SPECIFICATION

<b>Battery Model</b>	LCPC200-12 12V 200Ah			
<b>Design Life (years, 25°C)</b>	10			
<b>Capacity (Ah, 25°C)</b>	10HR (20A, 1.80V) 200	5HR (33.2A, 1.80V) 166	3HR (49A, 1.80V) 147	1HR (108.4A, 1.75V) 108.4
<b>Dimensions (mm)</b>	Length 522	Width 240	Height 228	Total Height 228
<b>Approx. Weight (kg)</b>	56.7			
<b>Reference Internal Resistance (mΩ)</b>	2.7 (Fully Charged @ 25°C)			
<b>Maximum Discharge Current (A)</b>	600			
<b>Self-Discharge (25°C)</b>	≤ 1.5% per month			
<b>Charge Voltage (V/Cell, 25°C)</b>	Cycle Use		Float Use	
	2.40(-3.5mV/°C/Cell), max charge current: 50A		2.27 (-3.5mV/°C/Cell)	

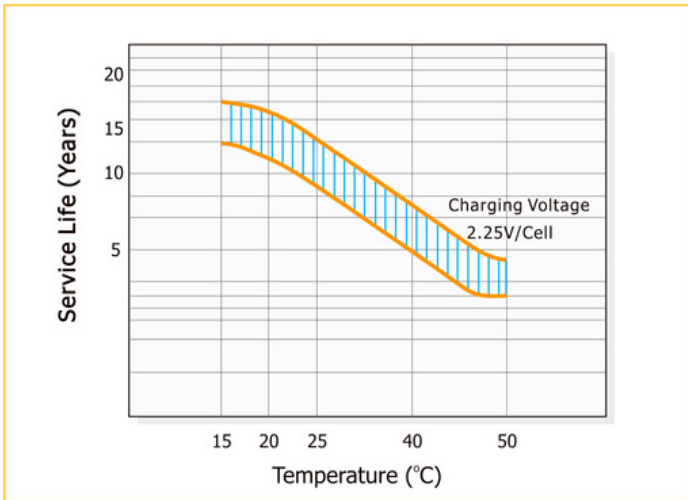
## Discharge Data

End Voltage (V/Cell)	h								
	1	3	5	10	20	50	100	120	240
1.70	111.40	51.60	34.91	20.47	10.47	4.44	2.32	1.96	1.04
1.75	108.40	50.60	34.20	20.27	10.30	4.36	2.28	1.93	1.02
1.80	105.00	49.00	33.20	20.00	10.13	4.26	2.24	1.90	1.00
1.85	101.00	47.20	32.00	19.60	9.93	4.14	2.18	1.85	0.98
1.90	96.00	45.00	30.60	19.07	9.97	4.00	2.12	1.80	0.96

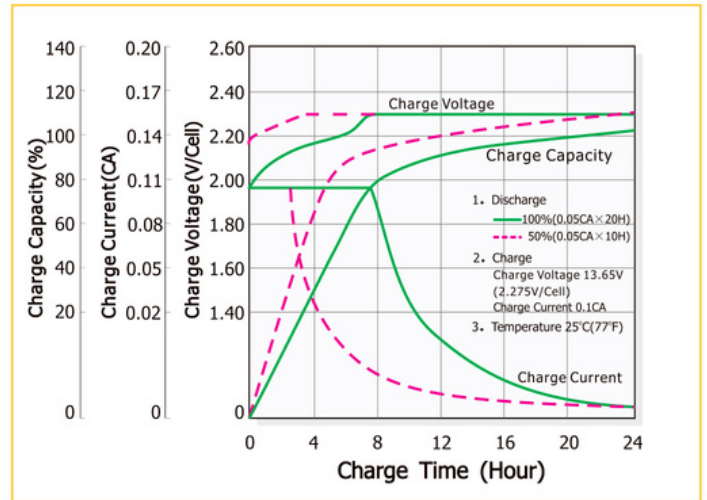
End Voltage (V/Cell)	h								
	1	3	5	10	20	50	100	120	240
1.70	200.67	84.27	60.67	37.73	19.60	9.51	5.13	4.36	2.20
1.75	194.00	82.80	59.20	37.33	19.27	9.40	4.89	4.28	2.16
1.80	188.67	81.47	57.60	36.93	18.93	9.00	4.56	4.12	2.12
1.85	182.67	80.40	56.27	36.13	18.53	8.52	4.33	3.85	2.04
1.90	177.60	79.20	54.67	35.60	18.27	8.20	4.15	3.72	2.00

# PERFORMANCE CURVE

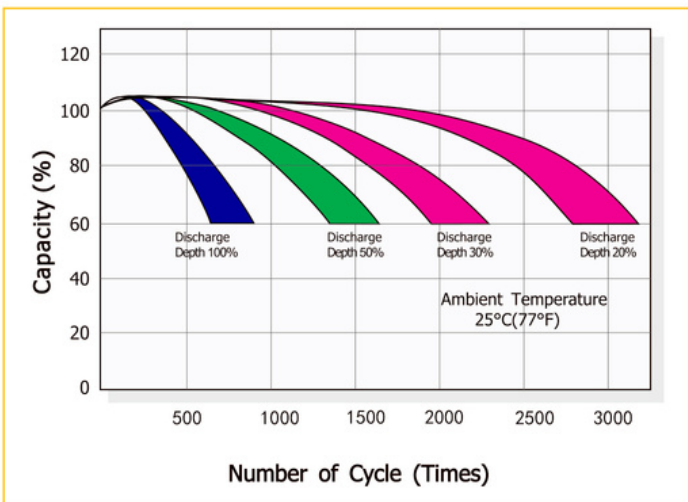
## Trickle(or Float) Service Life



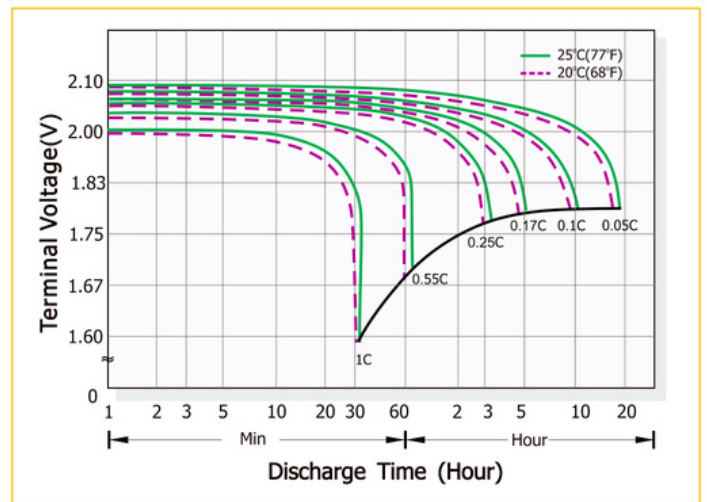
## Charge Characteristic



## Cycle Service Life



## Discharge Characteristic



# FEATURES

- Low self-discharge and long shelf life
- Non-Spillable construction
- Safety valve installation for explosion proof
- Exceptional deep discharge recovery performance
- 99.7% pure lead calcium grids and A recognized Component of UL

# APPLICATIONS

- Photovoltaic System
- Telecommunications
- Emergency Power System
- Power Plant and power transformer system
- Control Equipment

- IEC 60896-21/22
- DIN 40742
- YD/T 1360-2005

ISO 9001

