

# PESP/PER Series Surge Protector



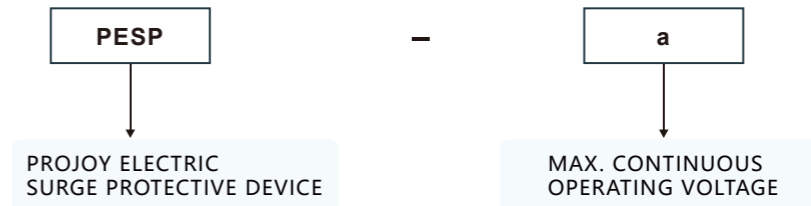
**PROJOY**  
electric

— Switch To Safety! —

**PROJOY**  
electric

— Switch To Safety! —

## Select Code



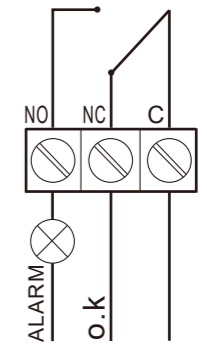
## Failure and disengagement device Alarm remote signaling device

### Failure and disengagement device

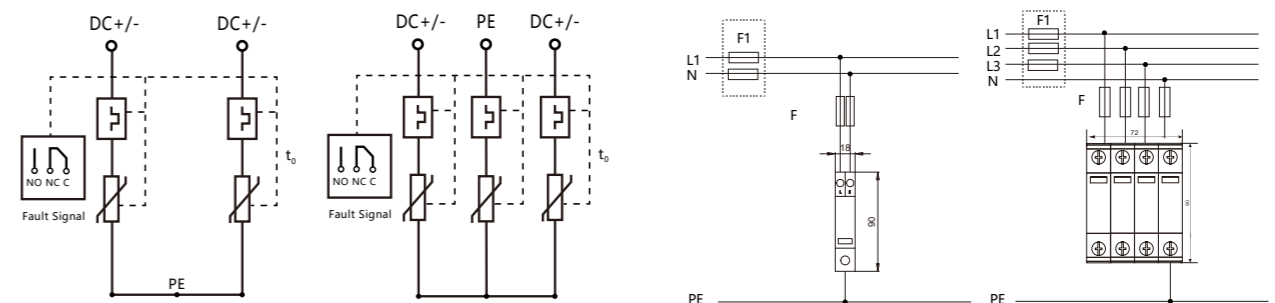
The surge protector is provided with a fail-safe device. When the protector breaks down due to overheating, the fail-safe detach device can automatically detach from the power grid and give an indication signal. When the protector is normal, the display window will show green, and after failure, the display window will show red.

### Alarm remote signaling device

The protector can be made into a variety with remote signaling contacts. The remote signaling contacts have a set of normally open and normally closed contacts. When the protector is working normally, normally closed contacts are connected. If one or more modules of the protector fail, the contact will change from normally open to normally closed. Normally open contacts will work and send trouble information.



## Contact Configuration



## High Craftsmanship AND High Standards



Flame retardant material



High reliability



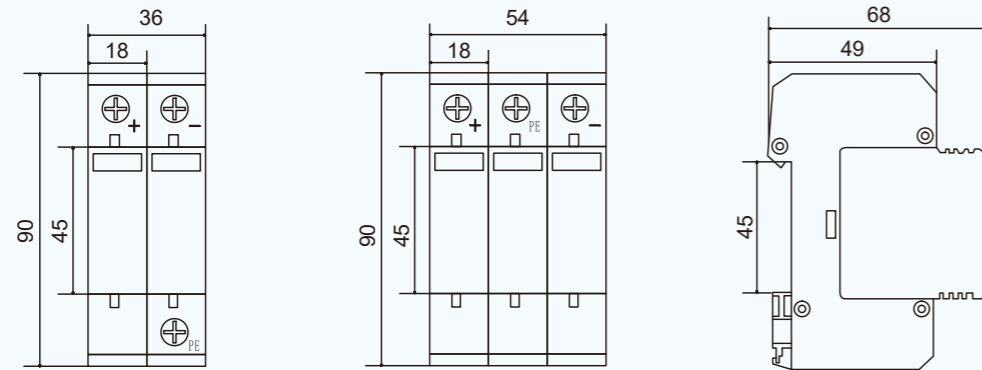
Diverse



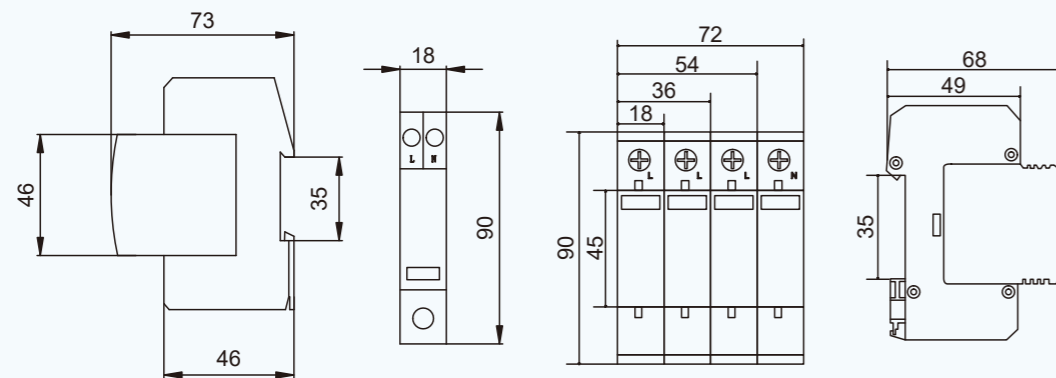
-40°C~+70°C  
Ambient temperature range

## Dimensions

PESP-600/1000/1500



PER-C20



## Technical data

Type	PESP-600		PESP-1000		PESP-1500	
	Type 2	Type 1+Type 2	Type 2	Type 1+Type 2	Type 2	Type 1+Type 2
SPD according	Type 2	Type 1+Type 2	Type 2	Type 1+Type 2	Type 2	Type 1+Type 2
Pole	2P		3P		3P	
Standards compliance	GB/T18802.1-2011 ( IEC61643-1:2005,MOD )					
Max. Continuous Operating Voltage Ucpv	600V DC		1000V DC		1500V DC	
Max. Discharge Current I <sub>max</sub>	40kA (8/20μs)					
Nominal Discharge Current I <sub>n</sub>	20kA (8/20μs)					
Impulse current by pole I <sub>imp</sub>	/	5kA (10/350μs)	/	5kA (10/350μs)	/	5kA (10/350μs)
Protection level U <sub>p</sub>	3.0 kV			3.5kV		
Response Time t <sub>A</sub>	≤25ns					
Operating Temperature	-40°C~70°C					
Install Traverse Area	16~25 mm <sup>2</sup>					
Housing Material	PA6/PBT UL94 V-0					
Communication module	Built-in					
Protection Rating	IP20					
Dimensions	When the window displays red, the product is invalid and needs to be replaced.					
Installation dimensions	See outline and mounting dimensions					
Mounting	Symmetrical rail 35 mm					
Remote signalization connection	250VAC/0.1A 125VDC/0.2A 75VDC/0.5A					

Type	PER-C20			
	Type 2	Type 1+Type 2	Type 2	Type 1+Type 2
SPD according	Type 2	Type 1+Type 2	Type 2	Type 1+Type 2
Pole	1P		4P	
Standards compliance	GB/T18802.1-2011 ( IEC61643-1:2005,MOD )			
Max. Continuous Operating Voltage Ucpv	275V AC		440V AC	
Max. Discharge Current I <sub>max</sub>	40kA (8/20μs)			
Nominal Discharge Current I <sub>n</sub>	20kA (8/20μs)			
Impulse current by pole I <sub>imp</sub>	/	5kA (10/350μs)	/	5kA (10/350μs)
Protection level U <sub>p</sub>	1.5 kV		1.8kV	
Response Time t <sub>A</sub>	≤25ns			
Operating Temperature	-40°C ~ 70°C			
Install Traverse Area	16 ~ 25mm <sup>2</sup>			
Housing Material	PA6/PBT UL94 V-0			
Communication module	Built-in (optional)			
Protection Rating	IP20			
Dimensions	When the window displays red, the product is invalid and needs to be replaced.			
Installation dimensions	See outline and mounting dimensions			
Mounting	Symmetrical rail 35 mm			
Remote signalization connection	250VAC/0.1A 125VDC/0.2A 75VDC/0.5A			